

Horizontal Screens



ENGINEERED PRODUCTS

Applications

Primary Hard Rock Crushing

Mixed Demolition Debris

Crushed or Broken Concrete

Surge Feeds

River Rock

Asphalt

Premium Features

Huck Bolted Frames

Heavy Duty Decks

Wet or Dry Screening

Screen Cloth Retention Hardware

Adjustable, Timed Drives

Oil Lubrication

Sub-Frame

Fine or Coarse Screening

Models/Sizes

5x16 Two Deck

5x16 Three Deck

6x16 Two Deck

6x16 Three Deck

6x20 Two Deck

6x20 Three Deck

Other Considerations

Low Price Guarantee

Minimal Lead Times

Off-the-Shelf Parts

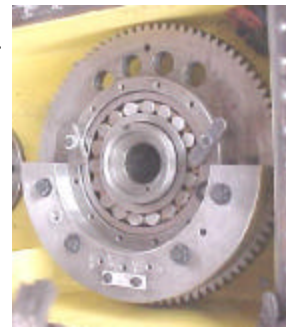
Nationwide Distribution

One Year Warranty



Trio's line of horizontal three shaft screens are designed and manufactured to satisfy the extreme operating duties found in applications throughout the world. These heavy duty units use modern bolted frames to provide long and trouble free operating lives.

The line includes standard two and three deck configurations ranging from 5' x 16' through 6' x 20'. All units are built to meet the needs of today's demanding producers. The units utilize fully contained oil lubrication systems. The vibrating mechanism is comprised of timed shafts and gears rotating within large, oversize spherical bearings.



The screens ship complete with sub-frames, motor mounts, v-belt drive guards, springs, and lined cross members.

The result is a line of screening products that will compete in performance and durability with any comparable products available in the market.



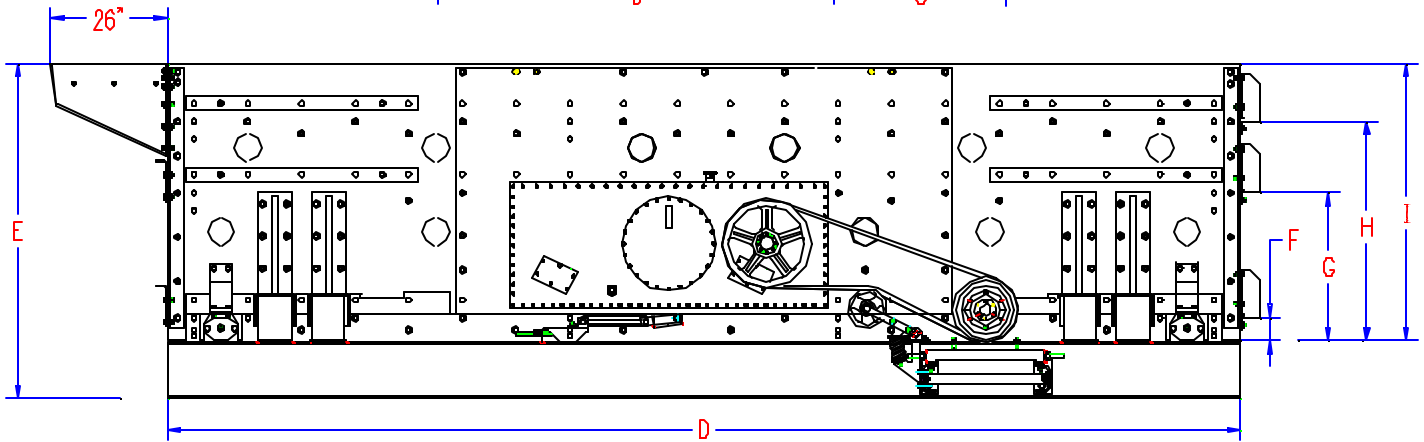
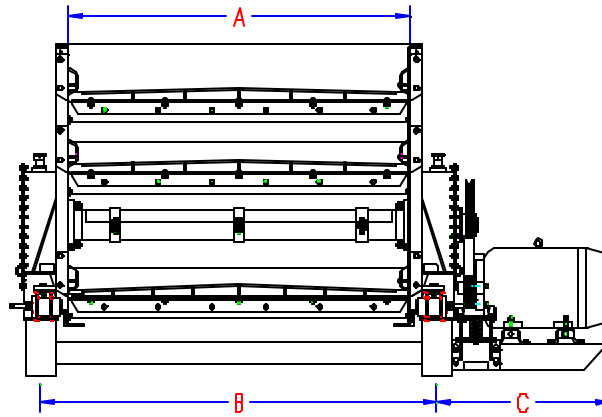
Cornerstone Equipment, Inc.

13037 Ottawa Drive Savage, MN 55378-1673

Tel: 952.894.4550 Fax: 952.894.1187

www.crushersales.com g.mcnevin@mchsi.com

Horizontal Screens



Screen Size	1200 RPM HP	Weight	A	B	C	D	E	F	G	H	I
5' x 16' x 2 Deck	25	12,500	61-1/2"	74"	35"	192"	58"	5"	NA	33"	45"
5' x 16' x 3 Deck	30	15,300	61-1/2"	74"	37"	192"	75"	5"	33"	49"	62"
6' x 16' x 2 Deck	30	15,100	76"	88"	37"	192"	58"	5"	NA	33"	45"
6' x 16' x 3 Deck	40	19,000	76"	88"	38"	192"	75"	5"	33"	49"	62"
6' x 20' x 2 Deck	40	19,200	76"	88"	38"	241"	58"	5"	NA	33"	45"
6' x 20' x 3 Deck	40	22,500	76"	88"	38"	241"	75"	5"	33"	49"	62"

Cornerstone Equipment, Inc.
 13037 Ottawa Drive Savage, MN 55378-1673
 Tel: 952.894.4550 Fax: 952.894.1187
www.crushersales.com g.mcnevin@mchsi.com