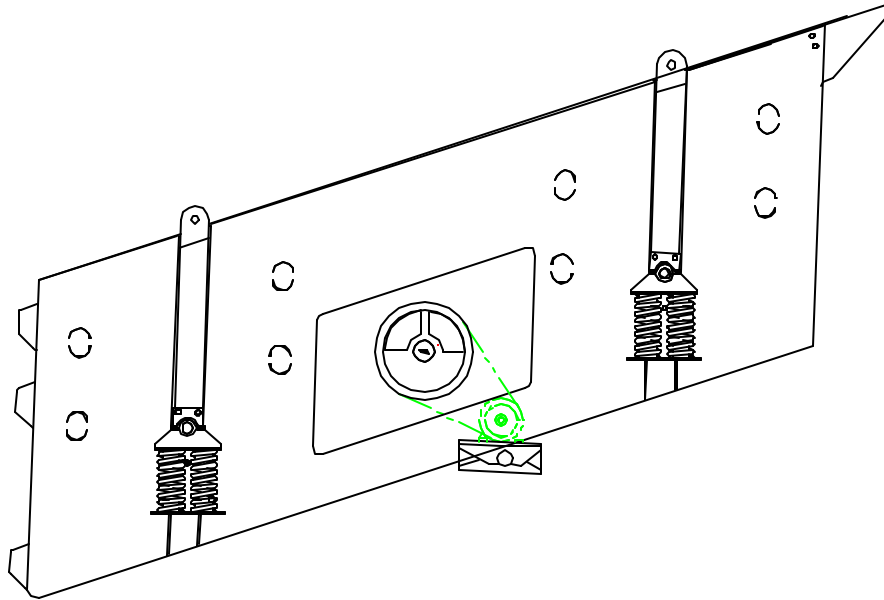


Huck Bolted Inclined Screens



ENGINEERED PRODUCTS



Trio's line of bolted inclined screens are designed and manufactured to satisfy the extreme operating duties found in applications throughout the world. These heavy duty units use modern designed, huck-bolted frames to provide long and trouble free operating lives.

The line includes standard sizes from 4' x 10' units to large 6' x 20' units. From big to small, all models are built to meet the needs of today's demanding producers. The units use grease lubrication systems. The vibrating mechanism is comprised of heavy duty eccentric shafts and rotating within large, oversize spherical bearings.

The result is a line of screening products that will compete in performance and durability with any comparable products available in the market.



Applications

Primary Hard Rock Crushing

Sand and Gravel

Recycling

Wet Screening

Mineral Processing

Chemical Production

Premium Features

Lined Cross Members

Bucker Bar Rubber

Lined Vibrator Tube

Spray Bar Punch Outs

Pivoting Motor Base

Oversize Bearings

Models/Sizes

4x10 Two Deck
4x10 Three Deck

5x14 Two Deck
5x14 Three Deck

5x16 Two Deck
5x16 Three Deck

6x16 Two Deck
6x16 Three Deck

6x20 Two Deck
6x20 Three Deck

Other Considerations

Low Price Guarantee

Minimal Lead Times

Off-the-Shelf Parts

Nationwide Distribution

One Year Warranty

Cornerstone Equipment, Inc.

13037 Ottawa Drive Savage, MN 55378-1673

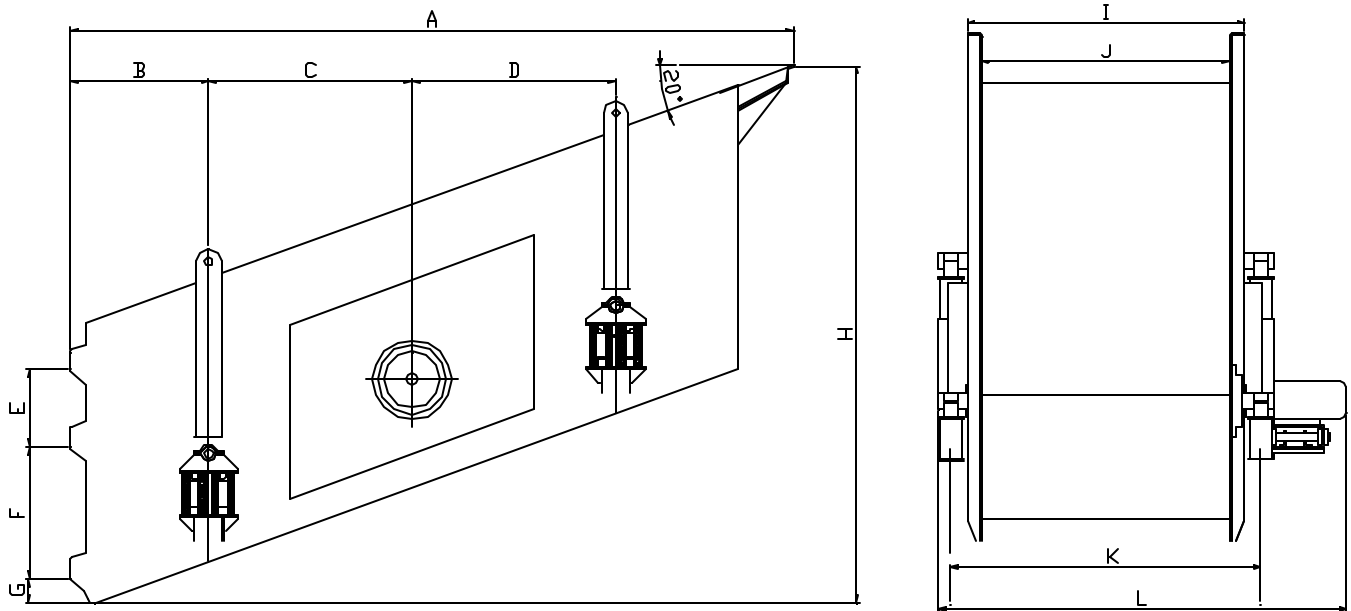
Tel: 952-894-4550 Fax: 952-894-1187

www.crushersales.com g.mcnevin@mchsi.com

Huck Bolted Inclined Screens



Size	Power	Side Plates	Standard Decking	Bearing Size (mm)	Maximum Material Size	Operating Speed (rpm)	Amplitude	Approximate Weight (lbs)
4' x 10' x 3 Decks	10	1/4"	C-C-F	100	10"	800	3/8"	6,750
5' x 14' x 2 Decks	15	3/8"	C-F	130	12"	800	3/8"	8,500
5' x 14' x 3 Decks	15	3/8"	C-C-F	130	12"	800	3/8"	10,500
5' x 16' x 2 Decks	15	3/8"	C-F	130	12"	800	3/8"	9,300
5' x 16' x 3 Decks	15	3/8"	C-C-F	130	16"	800	3/8"	10,700
6' x 16' x 2 Decks	20	3/8"	C-F	140	16"	800	3/8"	11,750
6' x 16' x 3 Decks	20	3/8"	C-C-F	140	16"	800	3/8"	13,000
6' x 20' x 2 Decks	25	3/8"	C-F	140	16"	800	3/8"	13,250
6' x 20' x 3 Decks	25	3/8"	C-C-F	140	16"	800	3/8"	15,000



Size	A	B	C	D	E	F	G	H	I	J	K	L
4 x 10' x 3 Deck	11'-0"	1'-11"	3'-3"	3'-3"	1'-9"	2'-6"	5"	9'-0"	4'-9"	4'-0"	5'-6"	7'-4"
5' x 14' x 2 Deck	15'-4"	2'-2"	4'-8"	4'-9"	3'-3"	-	6"	10'-2"	5'-8"	4'-11"	6'-5"	8'-10"
5' x 14' x 3 Deck	15'-4"	2'-2"	4'-8"	4'-9"	1'-7"	3'-3"	6"	11'-8"	5'-8"	4'-11"	6'-5"	8'-10"
5' x 16' x 2 Deck	16'-6"	2'-9"	4'-7"	4'-7"	3'-3"	-	6"	10'-8"	5'-8"	4'-11"	6'-5"	8'-10"
5' x 16' x 3 Deck	17'-2"	3'-1"	4'-8"	4'-9"	1'-7"	3'-0"	6"	12'-5"	5'-8"	4'-11"	6'-5"	8'-10"
6' x 16' x 2 Deck	16'-5"	3'-2"	4'-7"	4'-7"			7"		6'-7"	5'-11"	7'-5"	9'-8"
6' x 16' x 3 Deck	16'-5"	3'-2"	4'-7"	4'-7"	1'-9"	3'-0"	7"	12'-2"	6'-7"	5'-11"	7'-5"	9'-8"
6' x 20' x 2 Deck	20'-1"	3'- 8"	5'-10"	5'-10"			4"		6'-7"	5'-11"	7'-5"	9'-9"
6' x 20' x 3 Deck	20'-1"	3'- 8"	5'-10"	5'-10"	1'-6"	3'-3"	4"	13'-6"	6'-7"	5'-11"	7'-5"	9'-9"

Cornerstone Equipment, Inc.
 13037 Ottawa Drive Savage, MN 55378-1673
 Tel: 952-894-4550 Fax: 952-894-1187
www.crushersales.com g.mcnevin@mchsi.com