

SJ Series Jaw Crushers



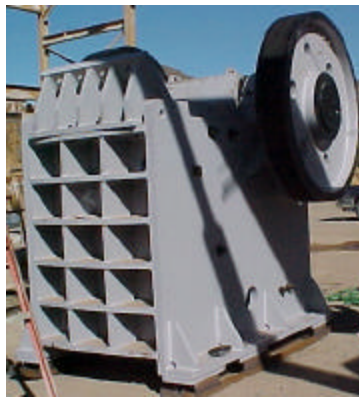
ENGINEERED PRODUCTS

Trio currently offers ten sizes of SJ Series jaw crusher ranging from the compact 10x16 model to the large and extremely heavy duty 36x48 unit. These models are manufactured with welded frames and cast pitmen. They are driven by extra large, overhead eccentric shafts seated in spherical, self aligning roller bearings.

Like all Trio products, this equipment is backed with the company's standard one-year warranty.



24x36 In Primary Application



30x42 in Primary Application

Applications

Primary and Secondary Hard Rock Crushing

Mixed Demolition Debris

Crushed or Broken Concrete

Asphalt

River Rock

Premium Features

Fabricated, stress relieved welded steel base

Rib-reinforced side plates

Close-tolerance machined jaw plates and seating surfaces

Reversible jaw plates

Spherical, self aligning roller bearings

Drop-forged, heat treated overhead eccentric shafts

Cast pitman

Other Considerations

Low Price Guarantee

Minimal Lead Times

Off-the-shelf parts

Nationwide distribution

One Year Warranty

	Weight	Discharge Opening	TPH	HP	SKF Bearing	RPM
10 x 16	6,270	3/4" to 2-1/2"	8 to 35	20	22328	300
10 x 30	10,800	1" to 2-1/2"	20 to 60	30	22238	330
10 x 40	14,000	1" to 2-1/2"	26 to 80	50	22238	330
10 x 48	17,000	1" to 2-1/2"	35 to 100	50	22240	330
12 x 52	25,000	1" to 3-1/2"	50 to 120	100	22344	300
16 x 24	14,000	1-1/2" to 4"	25 to 100	50	22338	275
18 x 42	25,000	2-1/2" to 6"	75 to 175	75	23144	275
20 x 30	22,500	2" to 4"	75 to 160	75	22248	275
24 x 36	32,000	3" to 6"	75 to 195	100	22340	225
30 x 42	59,000	3" to 6"	150 to	150	23176	225
36 x 48	110,000	4" to 9"	280 to	200	23180	200

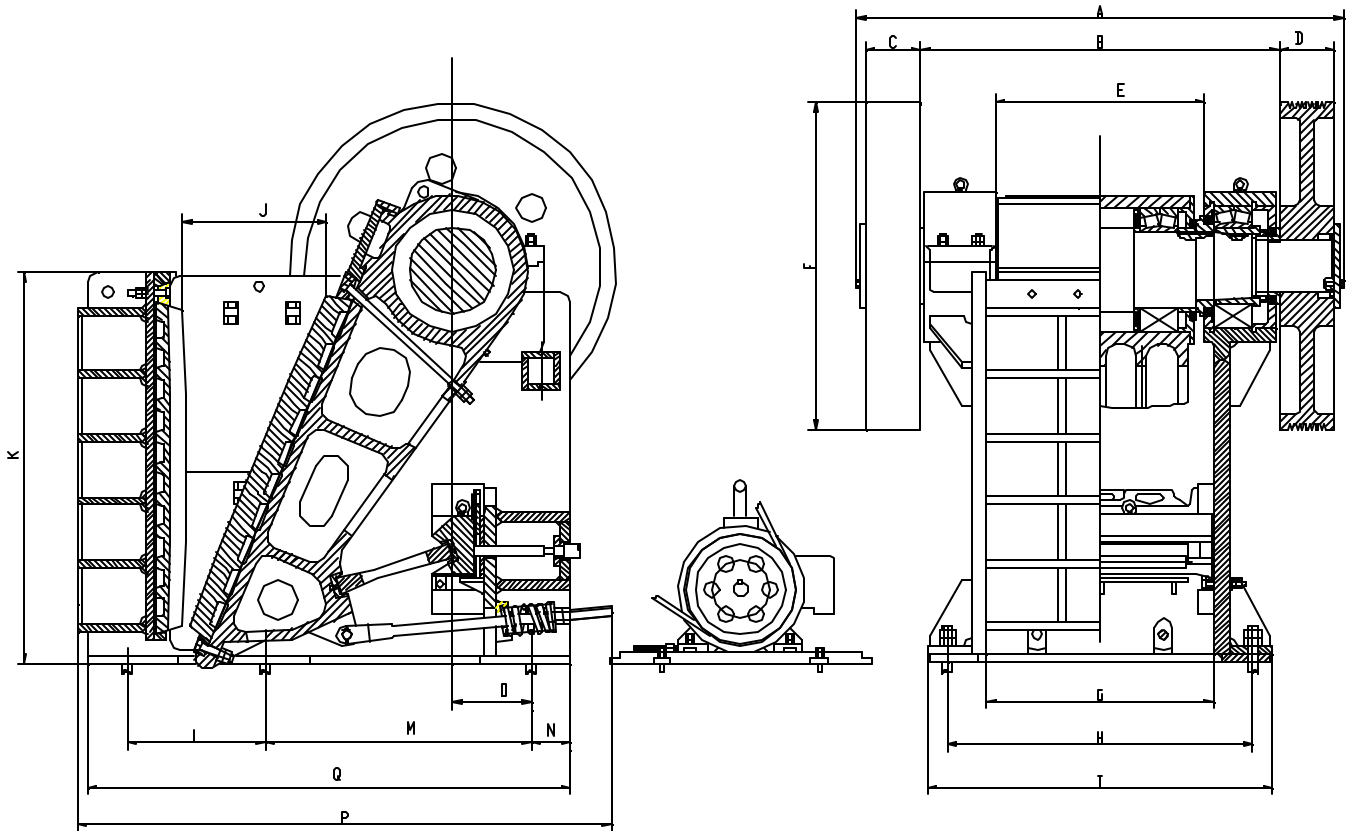
Cornerstone Equipment, Inc.

13037 Ottawa Dr. Savage, MN 55378-1673

Tel: 952.894.4550 Fax: 952.894.1187

www.crushersales.com g.mcnevin@mchsi.com

SJ Series Jaw Crushers



	A	B	C	D	E	F	G	H	I	J	K	L	M	N	O	P	Q
10 x 16	52	38	6	6	16	32	16	20	25	10	35	22	-	11	18	53	47
10 x 30	66	50	8	8	30	31	30	39	45	10	37	21	21	6	20	61	53
10 x 40	77	60	8	8	39	35	39	50	53	10	37	22	22	6	20	64	56
10 x 48	86	69	9	9	47	39	47	53	57	10	37	30	30	6	27	70	60
12 x 52	92	72	9	9	52	48	51	58	65	12	43	26	26	10	37	79	70
16 x 24	58	44	12	12	24	37	24	30	36	16	44	18	18	14	18	64	56
18 x 42	85	63	11	11	42	47	42	56	62	18	49	55	-	14	32	74	-
20 x 30	75	53	11	11	30	47	30	40	45	20	50	53	-	10	20	84	74
24 x 36	74	56	9	9	36	55	36	43	49	24	60	30	30	13	29	94	84
30 x 42	97	75	11	11	42	65	42	60	69	30	78	27	53	8	23	112	100
36 x 48	125	89	18	18	48	71	48	58	67	36	119	57	20	37	46	143	135

Cornerstone Equipment, Inc.
 13037 Ottawa Dr. Savage, MN 55378-1673
 Tel: 952.894.4550 Fax: 952.894.1187
www.crushersales.com g.mcnevin@mchsi.com