

Built with pride for today's aggregate producer who must compete in an ever changing and fiercely competitive marketplace, we offer our best so you can succeed!



Tandem Axle Chassis

- Heavy 16" H-beams
- Leaf spring suspension
- 11-22.5 tubeless tires (8)
- Budd rims
- 5th wheel kingpin, air brakes, lights & mud flaps
- Walkways on three sides with solid diamond plate flooring and ladder
- Blocking legs
- "AR" lined material chutes

TRIO Engineered Products Screen

- 5' x 16' Triple deck inclined screen
- Full 20° screen for maximum performance
- 20 HP, TEFC electric motor
- Replaceable bearing mounts
- Huck bolt construction
- Wide deck spacing to ease cloth changes
- Pivot motor base

Spray System

- Manifold with 4" flange inlet
- Brass valves control individual spray bars
- Ten (10) 1½" spray bars
- Brass nozzles, replaceable with NPT
- Clean up "wash down" hose

Trio Sand Screw

- 36"Ø x 25' Single sand screw
- Cast Ni-hard wear shoes
- 15 HP TEFC electric motor
- Torrington 85mm bearing
- Rising current manifold w/4" inlet
- 1½" Chase water line
- Grease lubricated bearing

Options

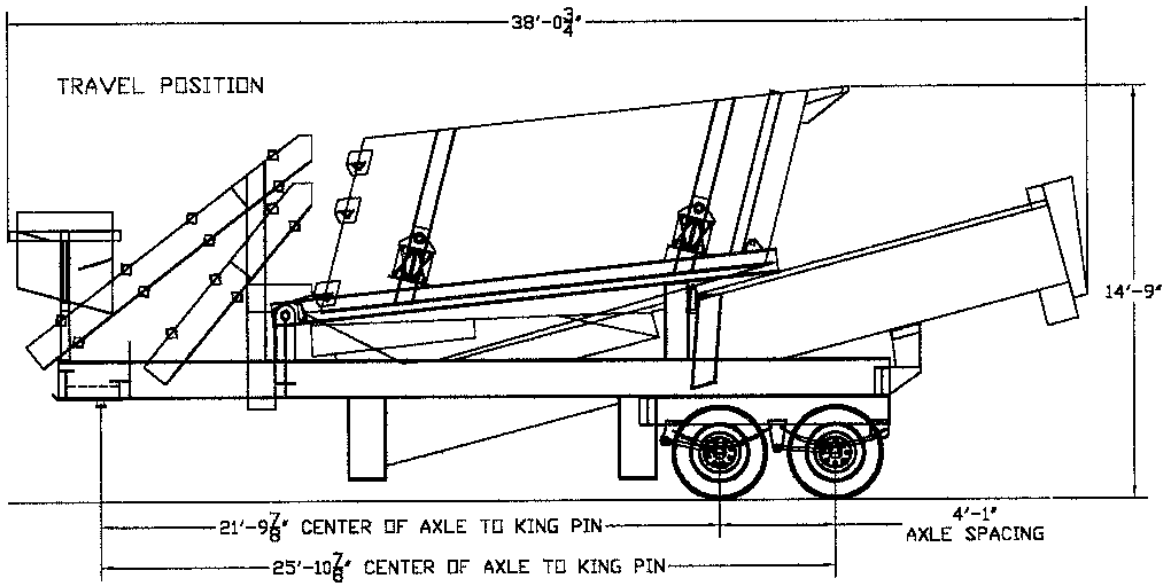
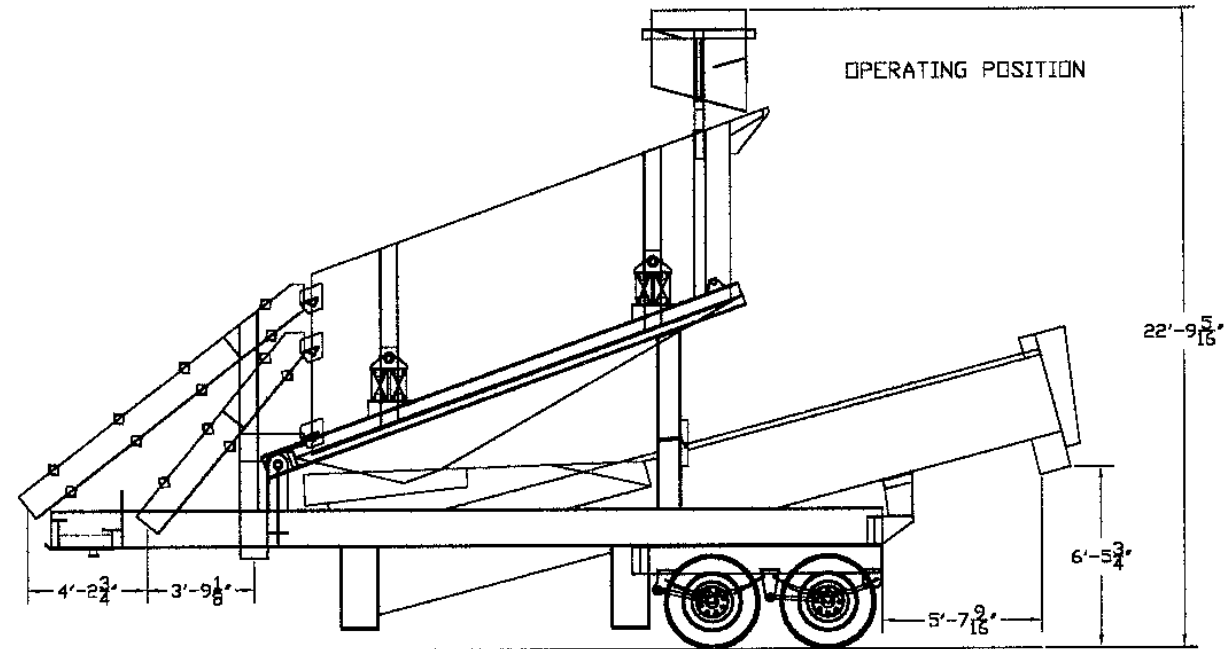
- Urethane shoes for screw
- Wedge type screen tensioning
- Slurry box
- Electrical switchgear
- Material feed bin on same chassis
- Manifold pressure gauge
- Screen cloth loose or installed

Marketed by:

Cornerstone Equipment Inc.

www.crushersales.com email: g.mcnevin@mchsi.com
 13037 Ottawa Dr. Savage, MN 55378-1673

Voice: (952) 894-4550 Mobile (612) 618-7411 Fax: (952) 894-1187



WP/200 SPECIFICATIONS
 5' X 16' 20° INCLINED SCREEN - 3 DECK
 36" X 25' SAND SCREW - SINGLE

WIDTH 10' 4"
 HEIGHT 14' 9"
 HEIGHT OF SCREW 13' 6"
 DISCHARGE HEIGHT OF SCREW 78"

WT 43,960
 (12,000 TRACTOR)
 (32,000 TRLR)

Excellence is a choice.....